



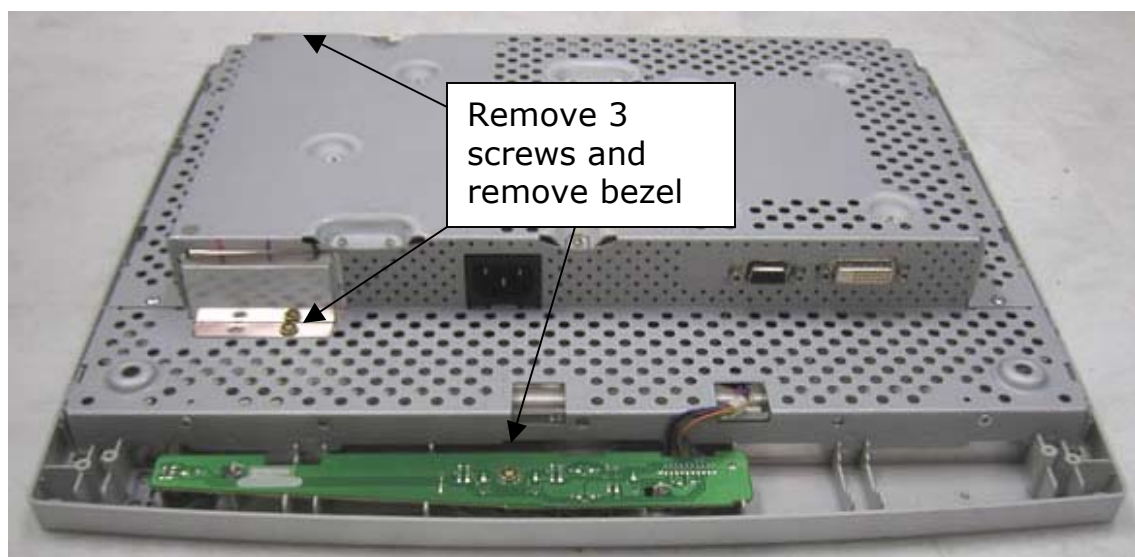
MoniServ, Inc.

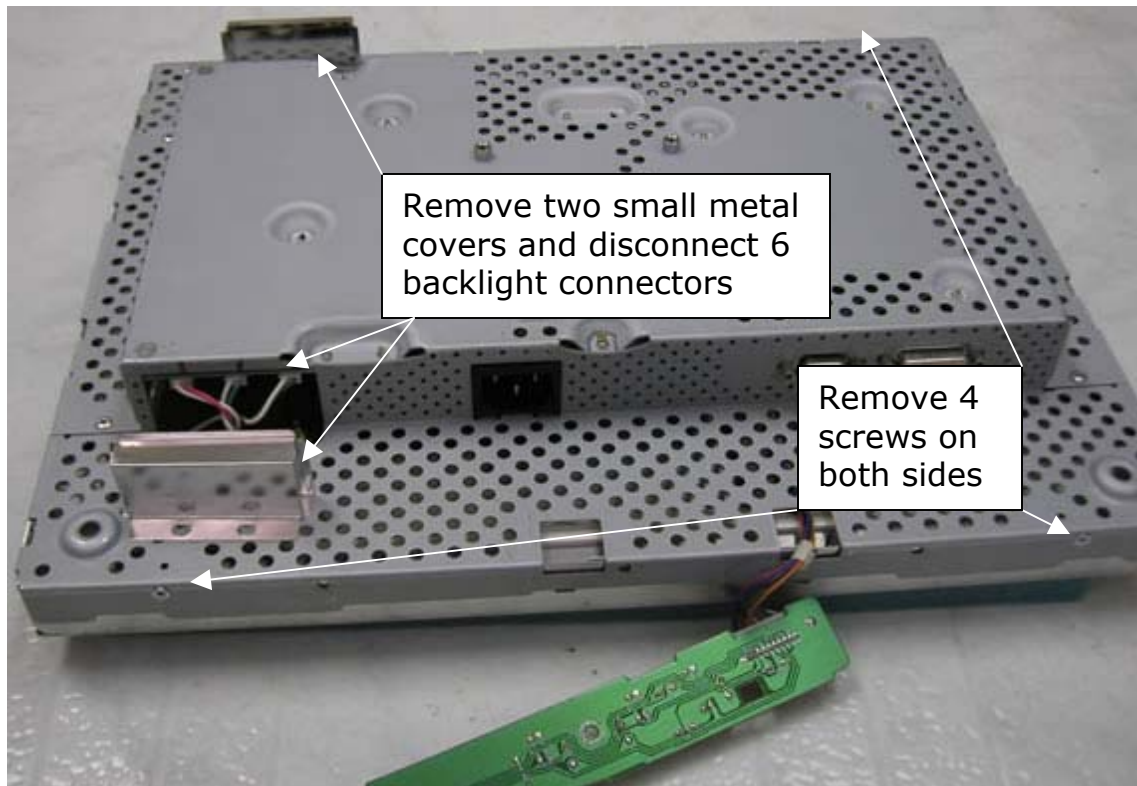
<http://www.moniserv.com>

<http://www.lcdpart.com>

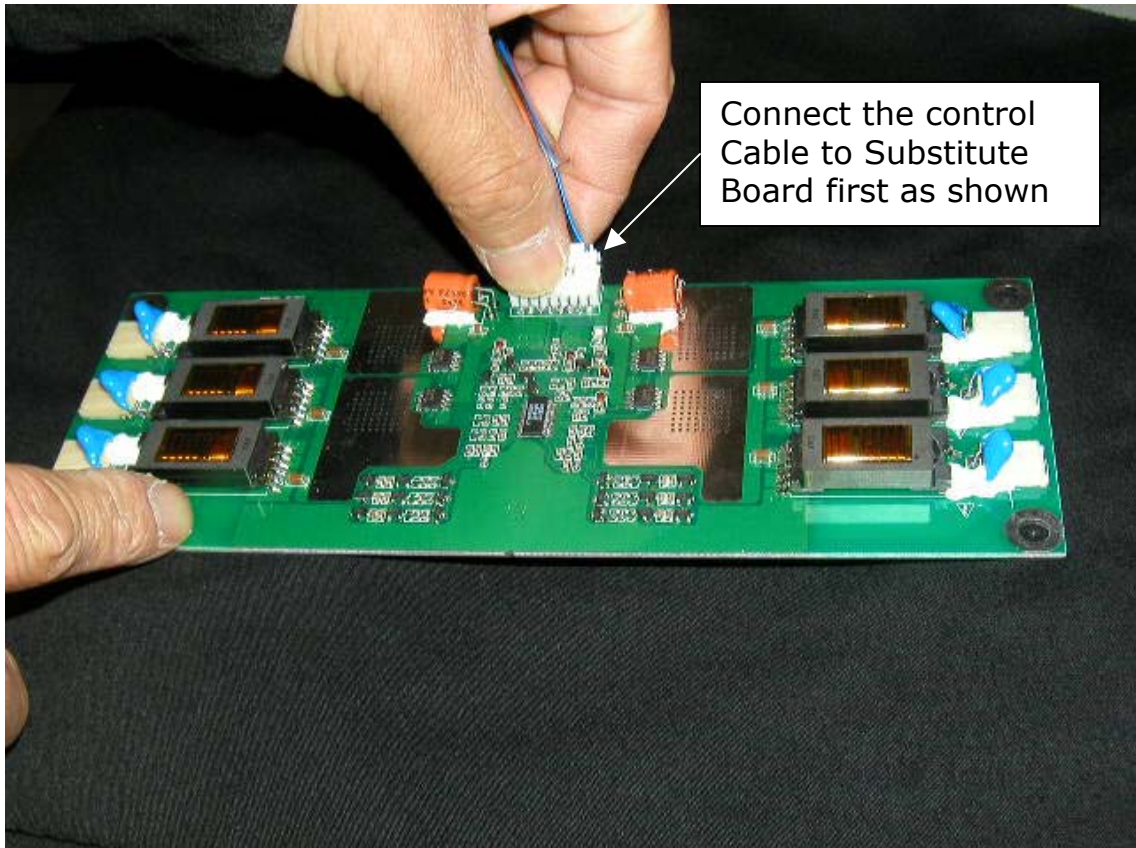
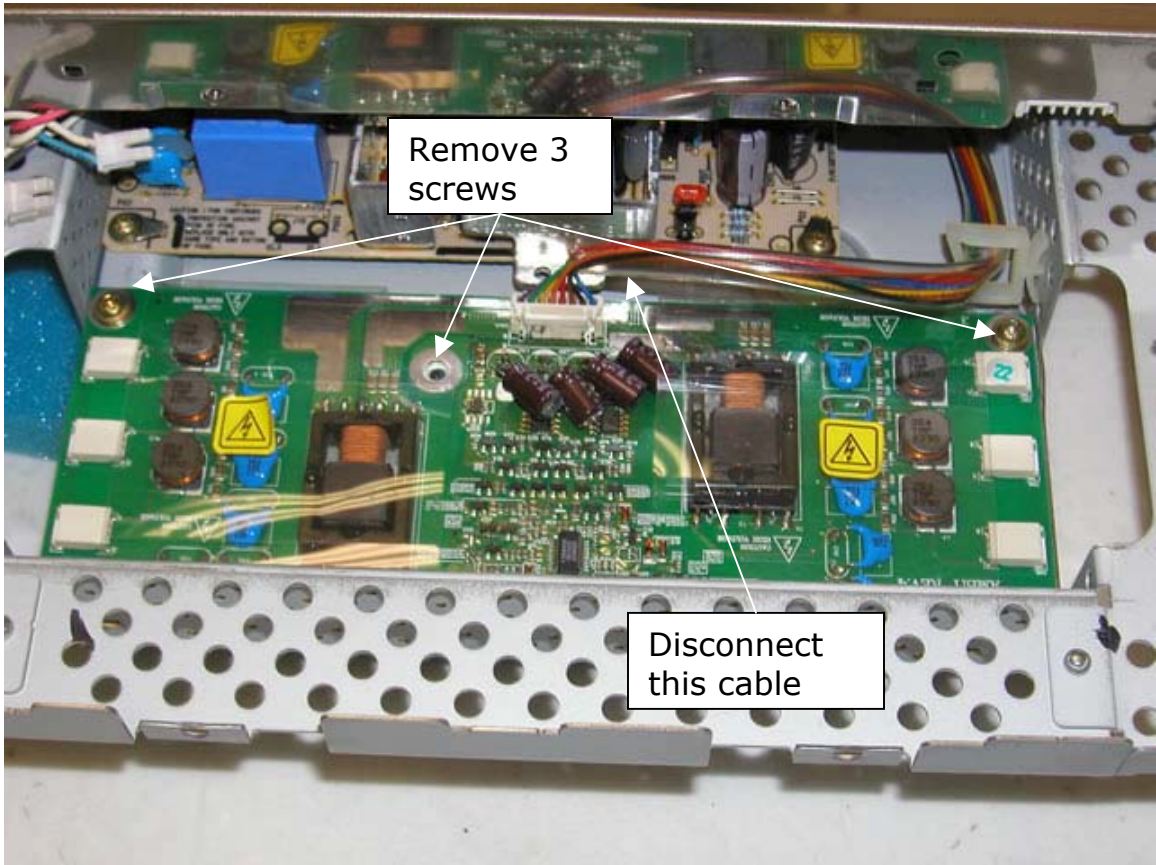
<http://www.monitoronsale.com>

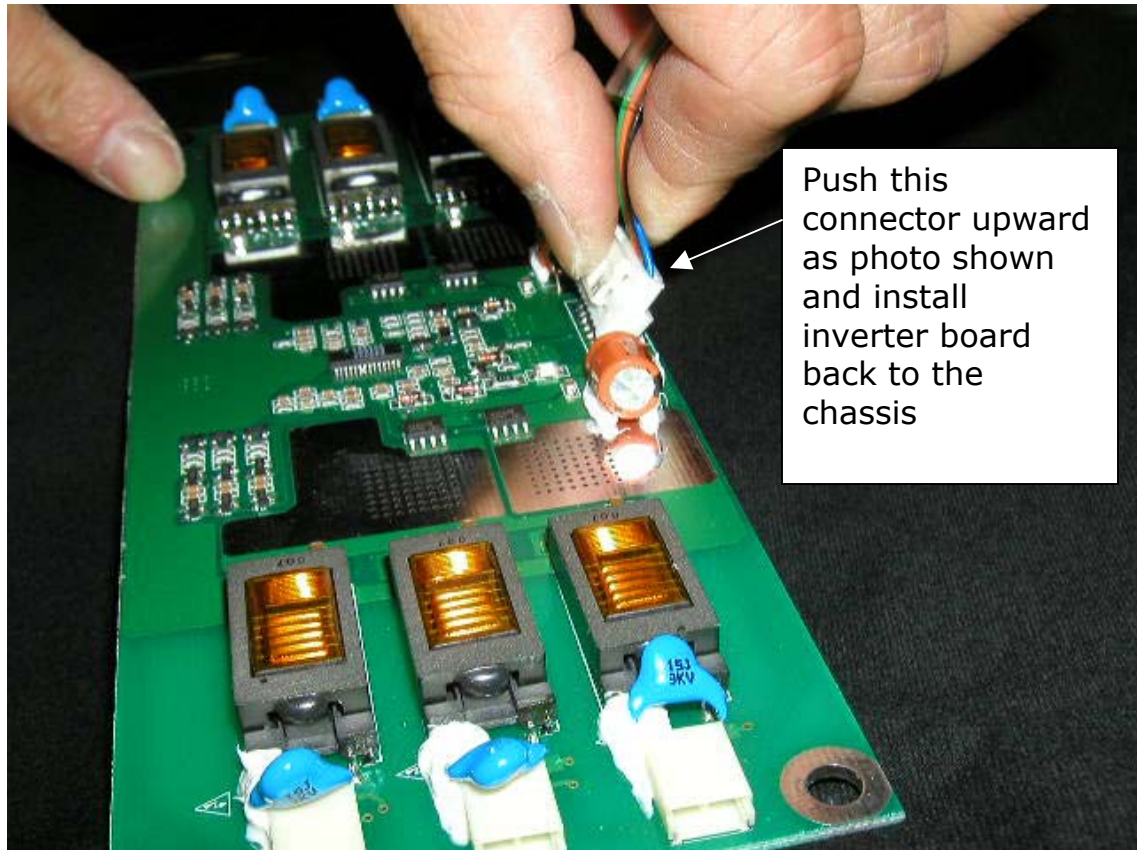
Remove and installation Procedure for Gateway FPD1830





Carefully flip over the panel assembly (Because there are no screws between TFT Panel and Metal Chassis) and lift TFT Panel up about 1/2 inch and slowly shift TFT Panel to right side, now you can clear see the inverter (Photo shown above)





Re-install all component, metal chassis, and circuit board and cover back. Gateway FPD1830 should work now.