



**MoniServ, Inc.**

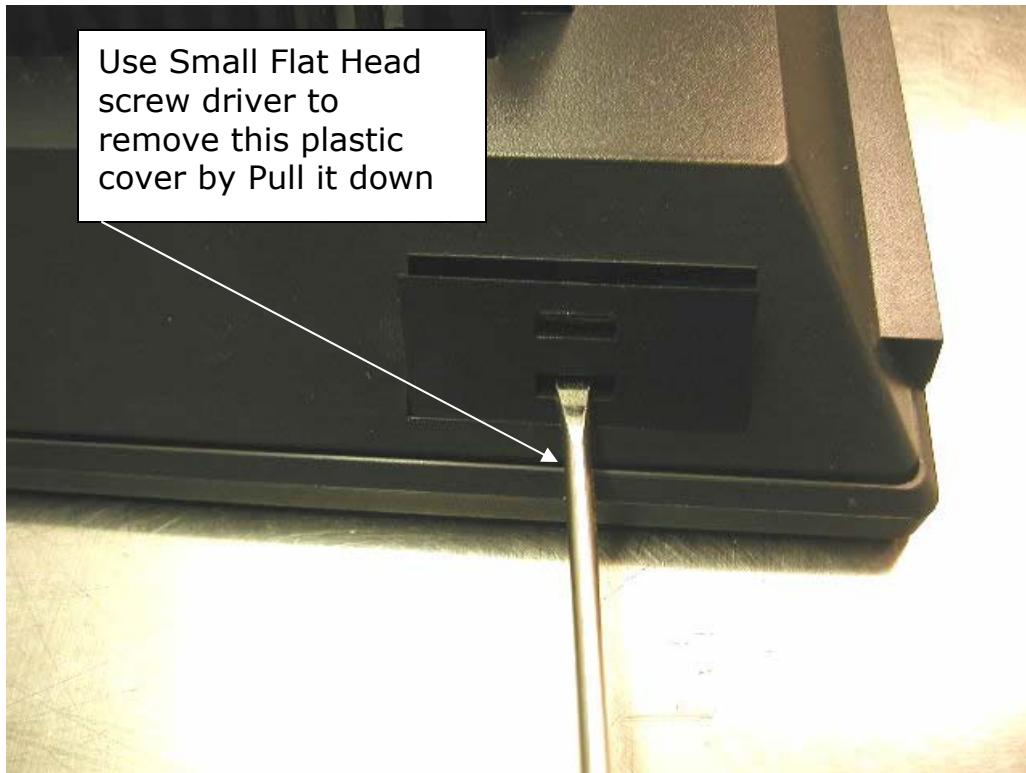
<http://www.moniserv.com>

<http://www.lcdpart.com>

## Backlight Inverter Installation Procedures for IBM 6736-HBO

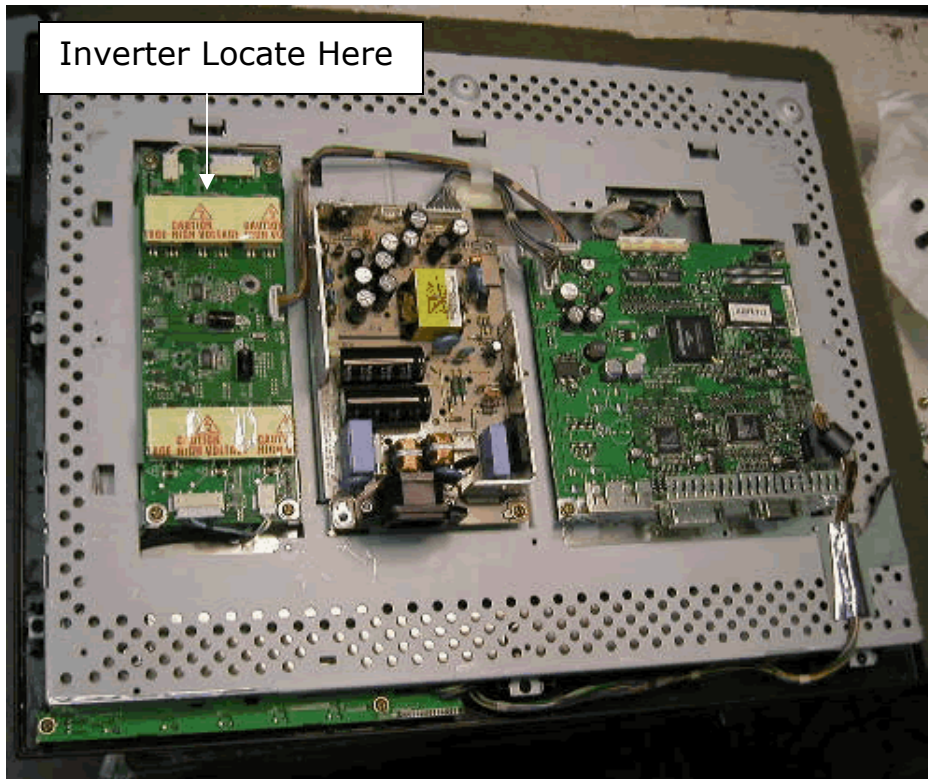
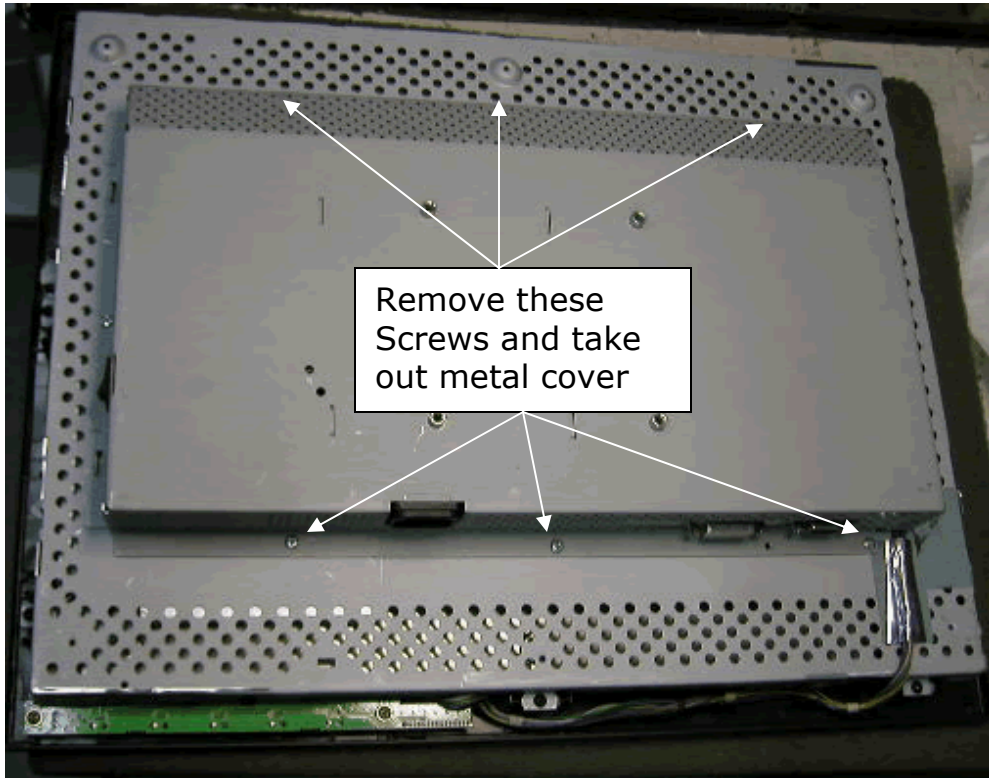


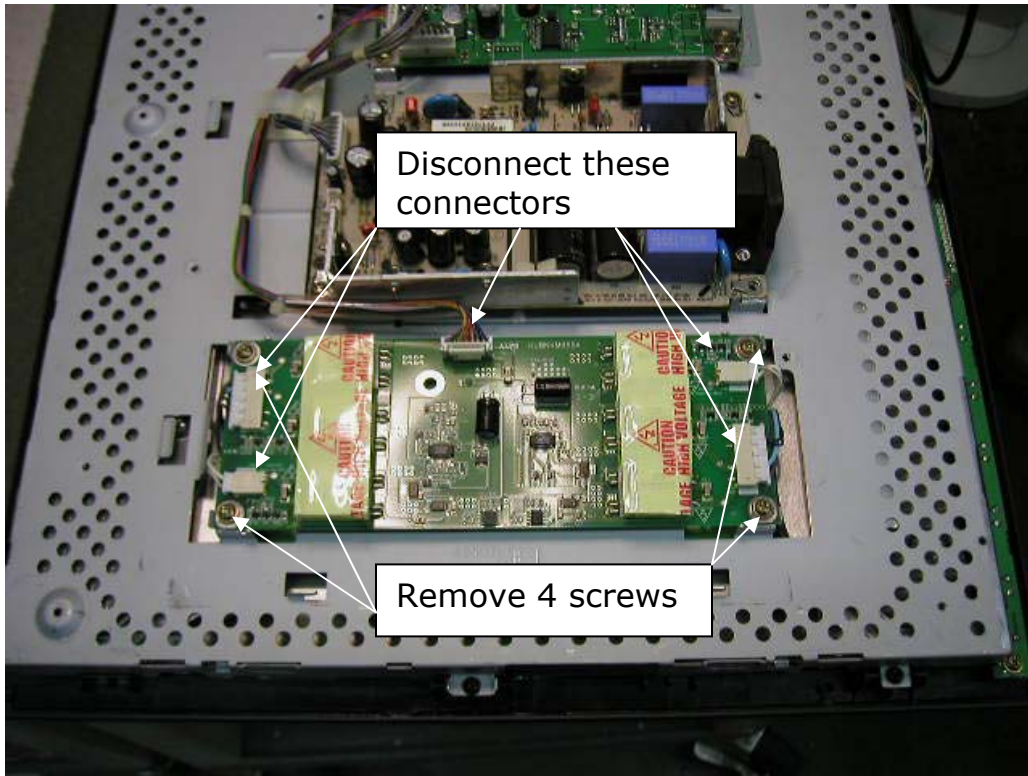
Use Small Flat Head screw driver to remove this plastic cover by Pull it down



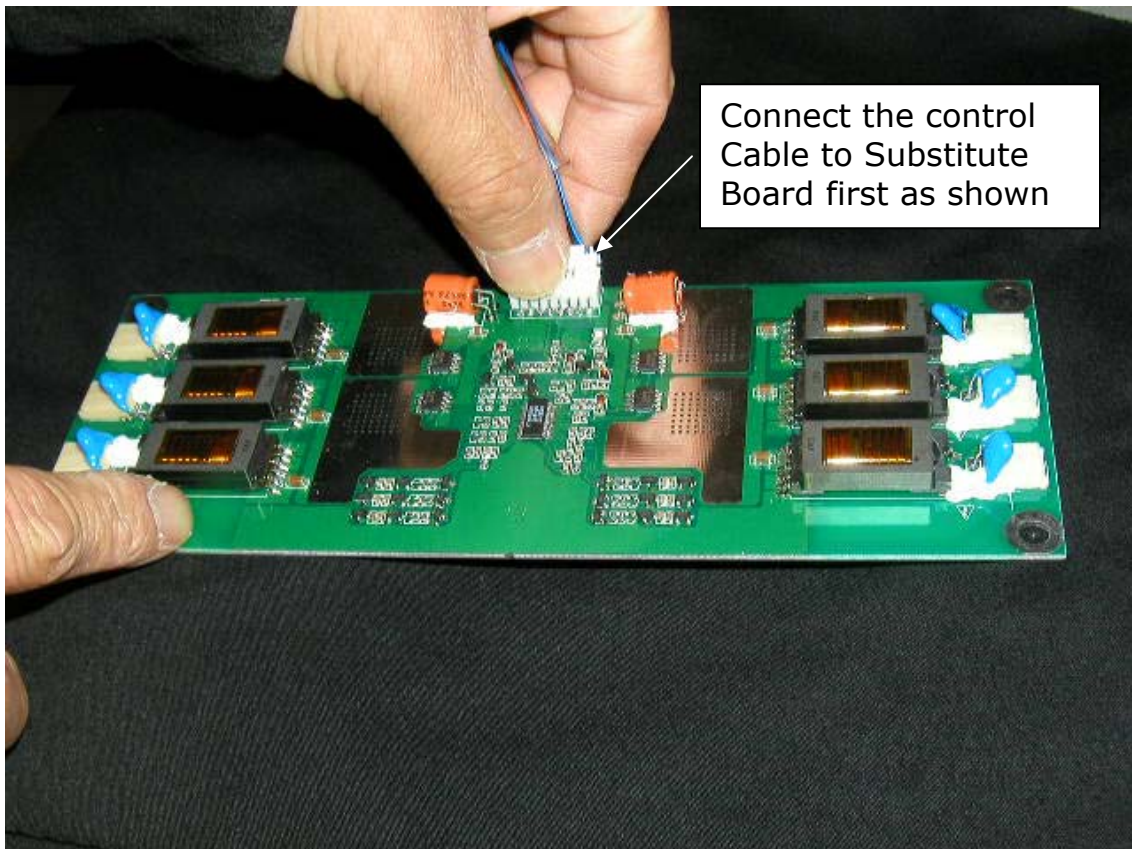
Unscrews 6 screws and remove back cover

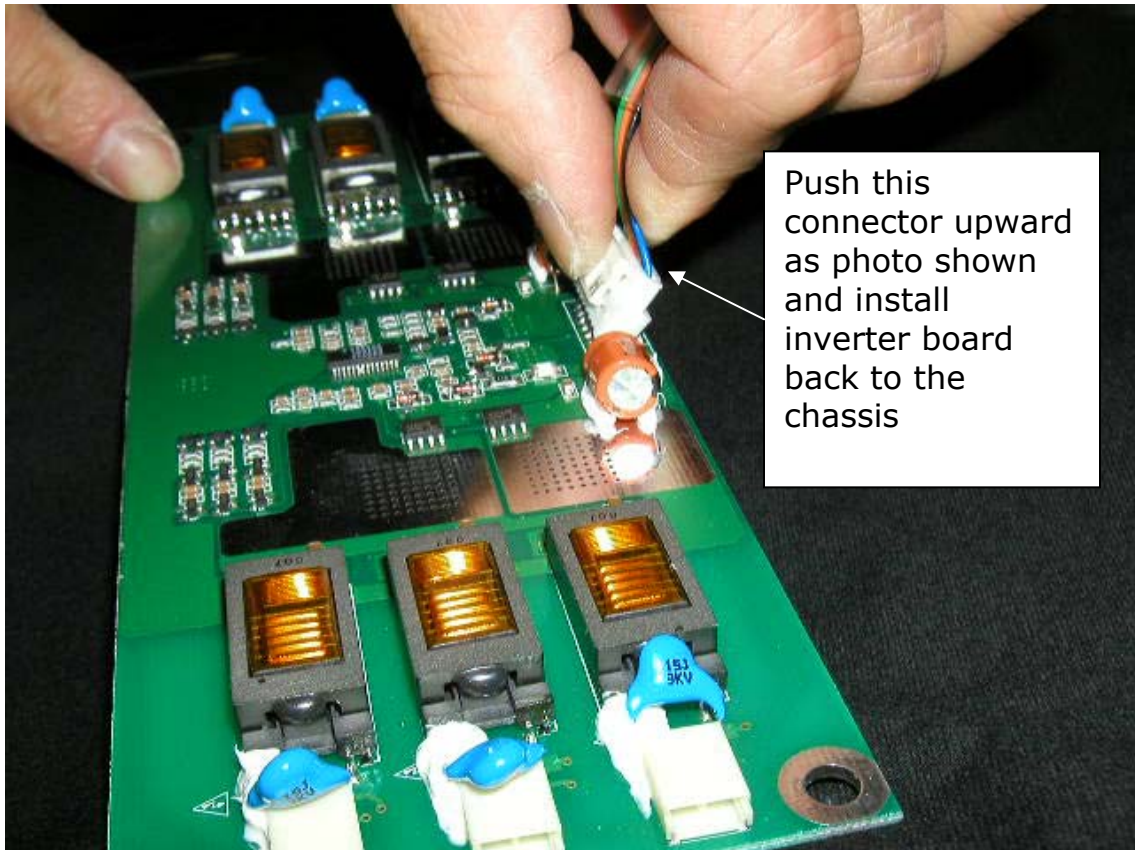






Replace with MoniServ KUBNKM055AMSS Inverter





Re-install all component, metal chassis, and circuit board and cover back. IBM 6736-HBO should work now.